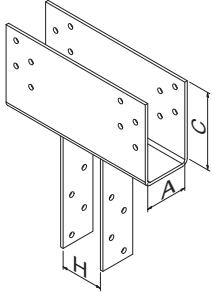
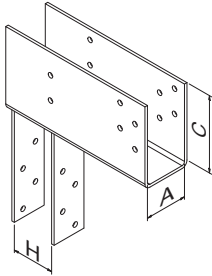
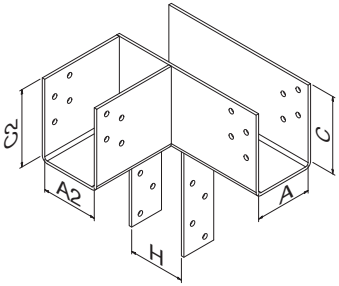
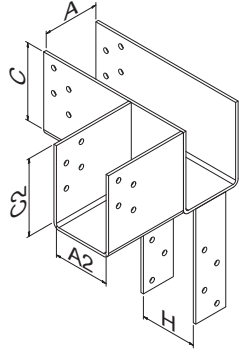
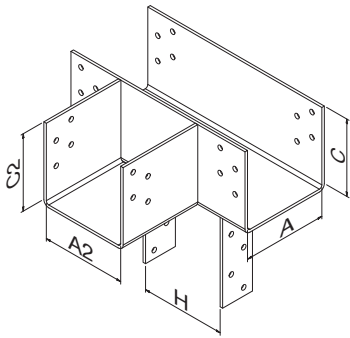
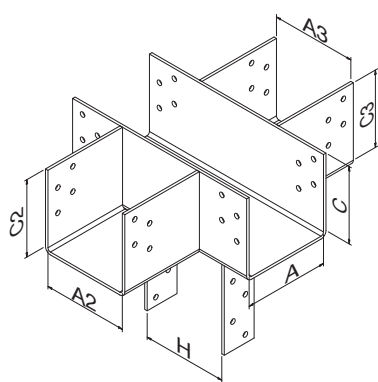


# CCQ Column Cap Made to Order Form

Name:	Tel:
Email:	
Make a note of the dimensions (in millimeters) next to the relevant product diagram below. Email the form to: UKsales@strongtie.com	

Diagram	Reference dimensions	Available range	Required size
 <p><b>SPEC E CCQ</b> <input type="checkbox"/></p>	A (W1)	75 - 225mm	
	C (H1)	100 - 190mm	
	H (W2)	75 - 250mm	
 <p><b>SPEC E ECCQ</b> <input type="checkbox"/></p>	A (W1)	75 - 225mm	
	A2 (W3)	75 - 225mm	
	C (H1)	100 - 190mm	
 <p><b>SPEC E ECLLQ</b> <input type="checkbox"/></p>	C2 (H2)	100 - 190mm	
	H (W2)	75 - 250mm	
	A (W1)	75 - 225mm	
 <p><b>SPEC E ECCLRQ</b> <input type="checkbox"/></p>	A2 (W3)	75 - 225mm	
	C (H1)	100 - 190mm	
	C2 (H2)	100 - 190mm	
 <p><b>SPEC E CCTQ</b></p>	H (W2)	75 - 250mm	
	A (W1)	75 - 225mm	
	A2 (W3)	75 - 225mm	
	C (H1)	100 - 190mm	
	C2 (H2)	100 - 190mm	
 <p><b>SPEC E CCCQ</b></p>	H (W2)	75 - 250mm	
	C3 (H3)	100 - 190mm	
	C2 (H2)	100 - 190mm	
	C (H1)	100 - 190mm	
	A3 (W4)	75 - 225mm	
	A2 (W3)	75 - 225mm	
	A (W1)	75 - 225mm	