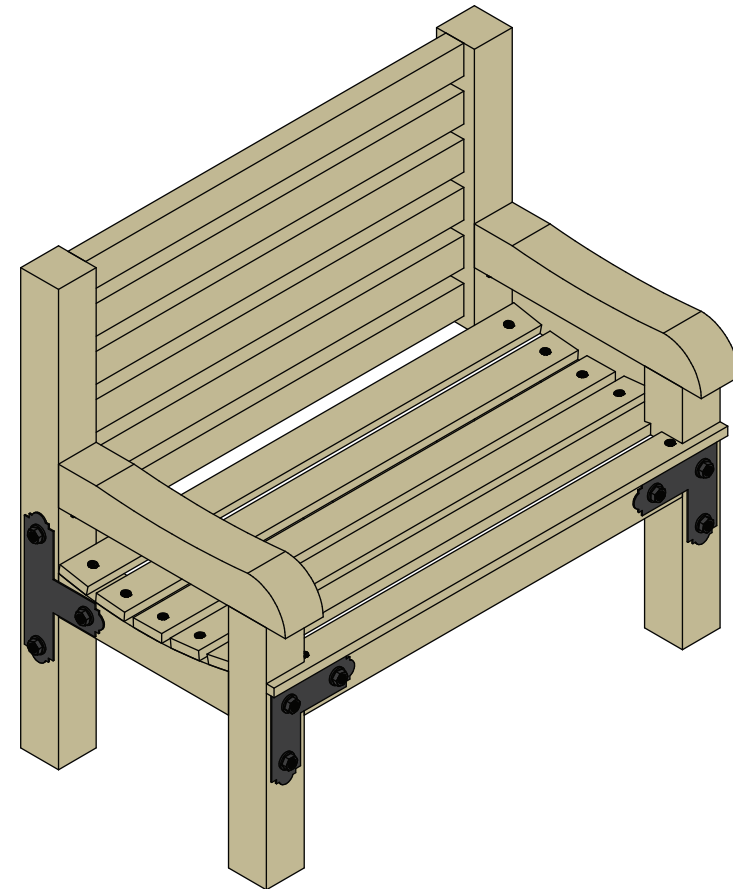


PARTS LIST			
ITEM	QTY	PART NUMBER	DESCRIPTION
1	2	APA4 Heavy Angle	SST Black P.C. Heavy Angle
2	4	APL4 L Strap Tie	SST Black P.C. L Strap
3	2	APT4 T Strap	SST Black P.C. T Strap
4	8	APA21 Light Rafter Tie	SST Black P.C. Rafter Tie
5	22	STN22 Hex Head Washer	Decorative Hex Head Washer
6	46	SDWS22312DBB Screw	Structural Wood Screw (88mm)
7	16	SD10112DBBR50 Screw	Structural connector Screw (38mm)

PARTS LIST			
ITEM	QTY	PART NUMBER	DESCRIPTION
1	2	Back Legs	100x100 Timber - Cut to 1100mm
2	2	Front Legs	100x100 Timber - Cut to 600mm
3	2	Seat Front (& Back)	100x100 Timber - Cut to 1000mm
4	2	Seat Sides	100x100 Timber - Cut to 450mm (Shaping by user Optional)
5	2	Arm Rests	100x100 Timber - Cut to 650mm (Shaping by user Optional)
6	6	Back Supports	75x47 Timber - Cut to 1000mm
7	6	Seat Supports	75x22 Timber - Cut to 1200mm



For more information visit
www.strongtie.co.uk/outdoor-living

