

# Structural Post Connection Evolved



## Introducing the PBWS Post Base with the ZPRO coating. Engineered to perform, dressed to last.

The new PBWS is a single piece, non-welded post-to-concrete connection suitable for a variety of applications.

Built to last, the surface of the PBWS is protected using our ZPRO coating for improved resistance to corrosion compared with conventionally coated galvanised steel. This makes the PBWS a good choice for a wide variety of outdoor projects including pergolas, decking, car ports, fencing and sheds.

Optional hole patterns mean it can be fastened to the timber post using either 4 x CSA connector screws or 2 x SSH Hex Head screws, no pre-drilling is required.

### Reduced Environmental Impact

PBWS offers the same load-rated capacity as standard post bases, yet due to its unique folded build, requires up to half as much steel material to produce, making it better for the environment and easier to handle.

### Advantages:

- High load capacity
- Light and easy to handle
- Reduced environmental impact due to material reduction
- Flexible fastening options
- Manufactured in Europe/Denmark



PBWS Installed with CSA Screws



## Extending the Life of Outdoor Structures, Economically

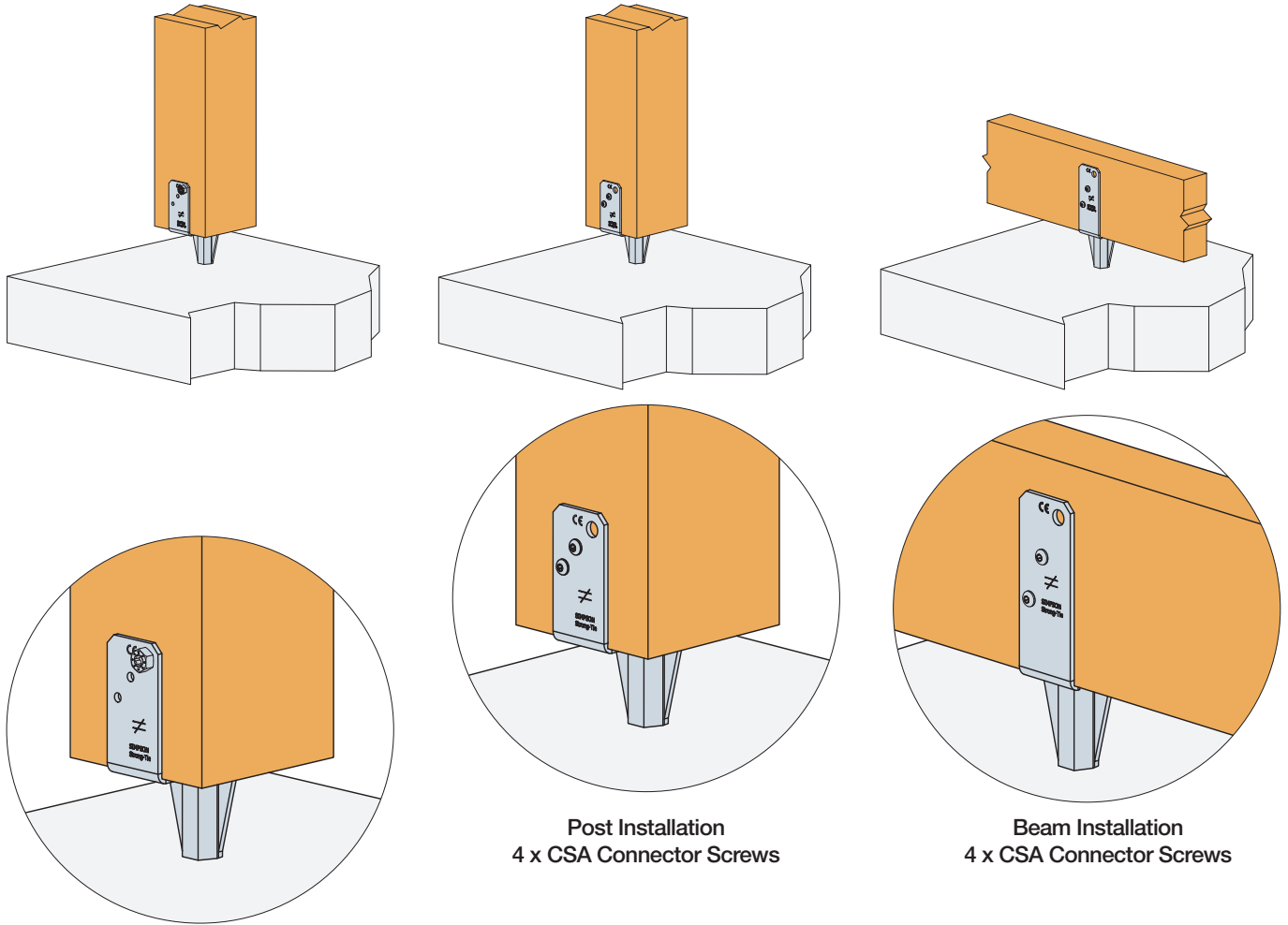
Our innovative ZPRO coating provides additional corrosion resistance for structural steel connections typically used in outdoor settings such as car ports and gardens.

It provides the same protection against the elements as a hot dip galvanised coating (corrosion category C3 EN ISO 12944) however ZPRO has a much neater, shinier finish.

Economical too, ZPRO bridges the gap between standard galvanised steel and the considerably more expensive stainless steel material.

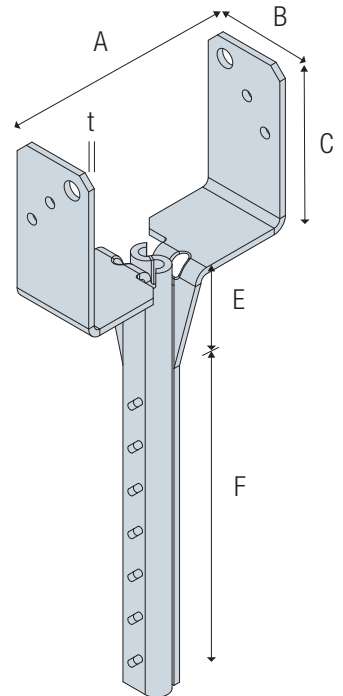


Installation Options



PBWS ZPRO Engineered Post Base References Available

Item Code	Dimensions [mm]							Side Flange Holes	
	A	B	C	E	F	G	t	Ø5	Ø8.5
PBWS45Z	45	40	99.5	50	150	22	3	4	2
PBWS48Z	48	40	98	50	150	22	3	4	2
PBWS70Z	70	40	87	50	150	22	3	4	2
PBWS73Z	73	40	85.5	50	150	22	3	4	2
PBWS90Z	90	40	77	50	150	22	3	4	2
PBWS98Z	98	40	73	50	150	22	3	4	2
PBWS100Z	100	40	72	50	150	22	3	4	2



PBWS ZPRO Product Capacities

Item Code	Fastening on Post		Characteristic Capacity - Timber C24	
	Qty	Type	R1,k	R2,k
CSA5,0x40	4	CSA5,0x40	20.2	2,1/kmod
SSH8.0x40	2	SSH8x40	20.2	2,1/kmod