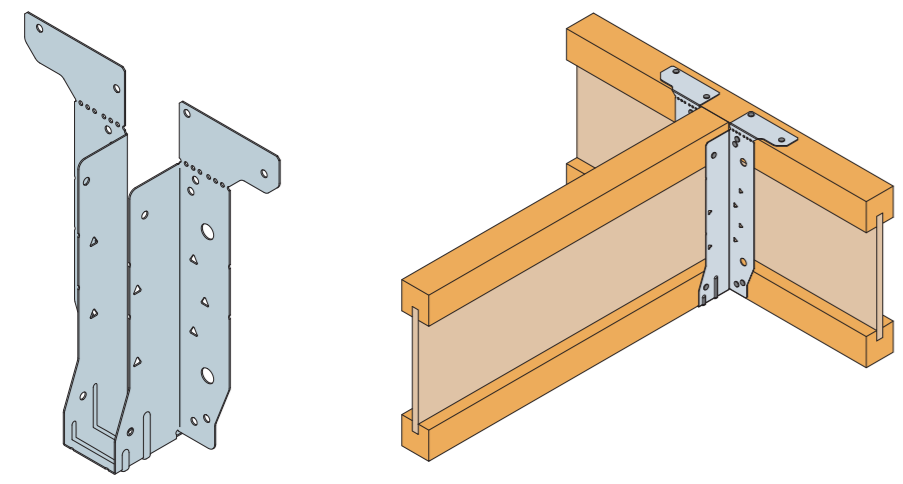


ENGINEERED FLOOR CONNECTORS

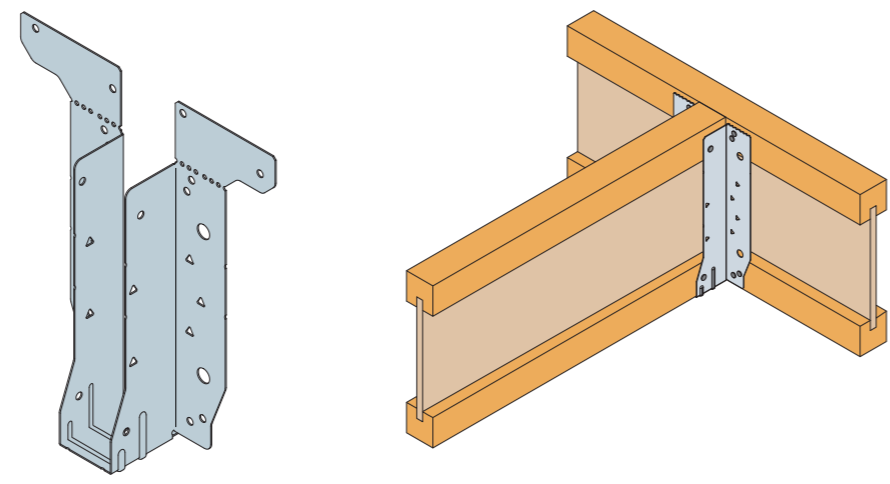


Top Fix Engineered Wood Hanger **EWH**



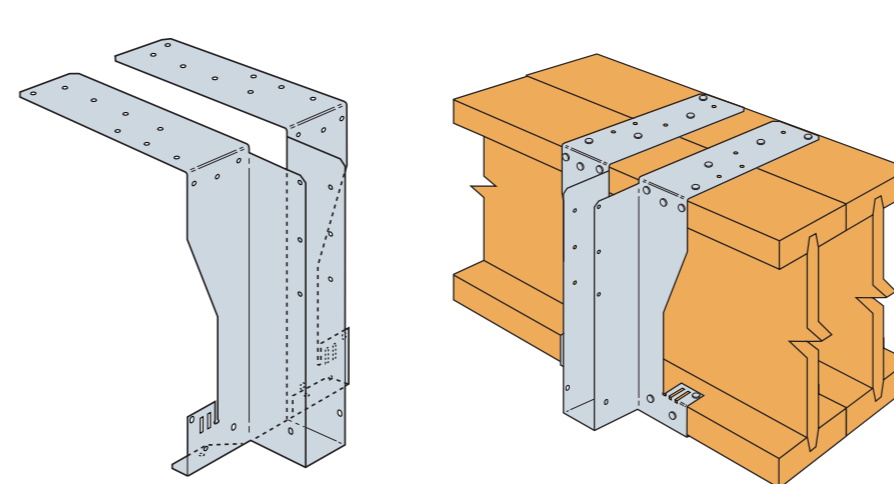
Eliminates the need for backer-blocks when supported from an I-joist header.

Face Fix Engineered Wood Hanger **EWH**



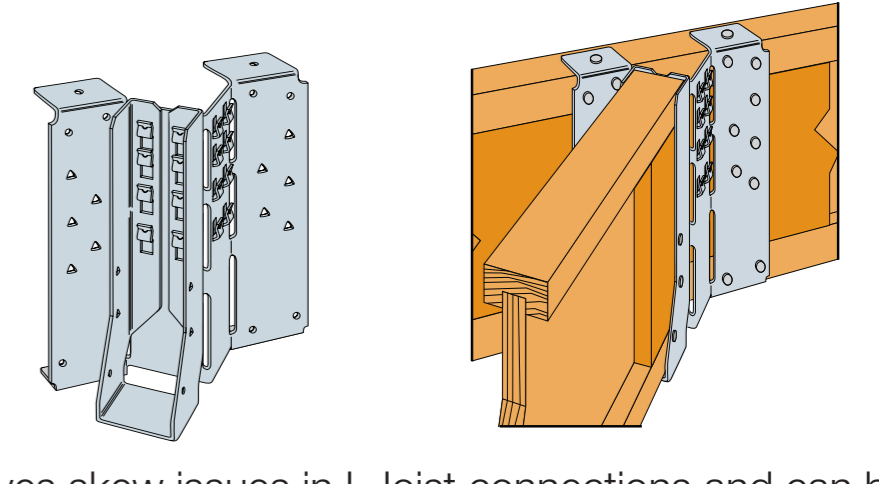
Eliminates the need for backer-blocks when supported from an I-joist header.

Heavy Duty Backer-Free I-Joist Hanger **HITB**



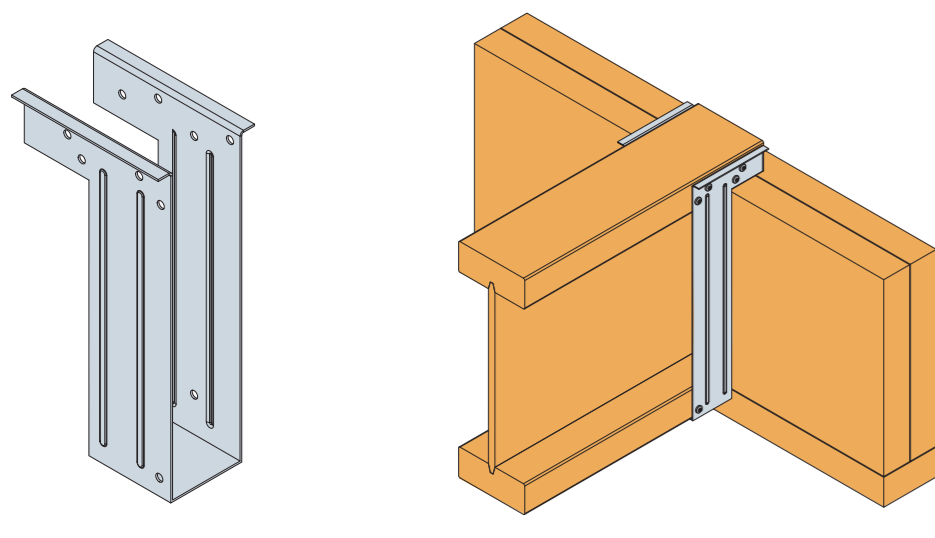
Heavy duty, backer-free hanger for high load I-joist applications.

Backer-Free I-Joist Hanger with Adjustable Skew **ITBS**



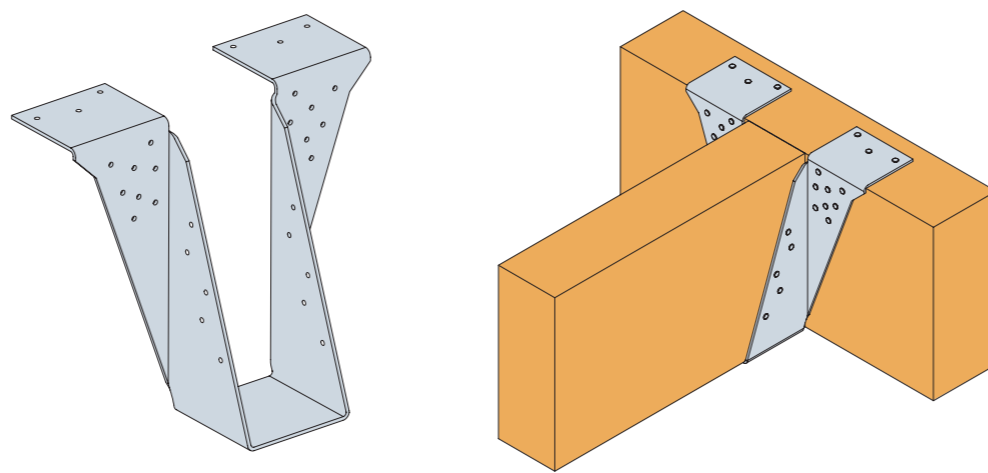
Solves skew issues in I-joist connections and can be handed left and right removing confusion when the floor is built opposite to the drawing.

Top Chord Hung I-Joist Hanger **TCHI**



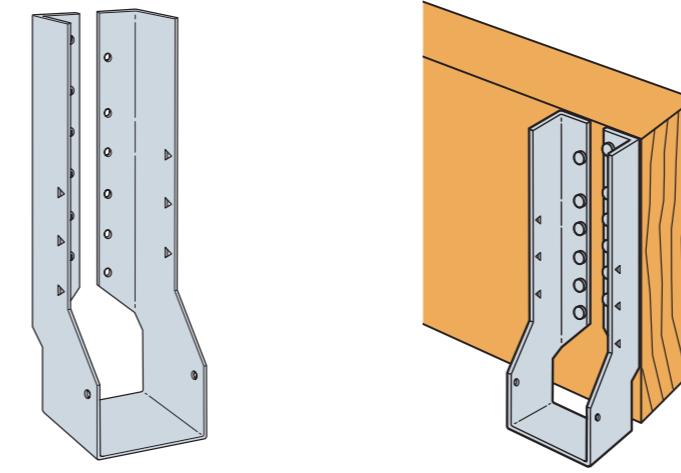
Install using CSA screws

Heavy Duty Top Flange I-Joist Hanger **HB**



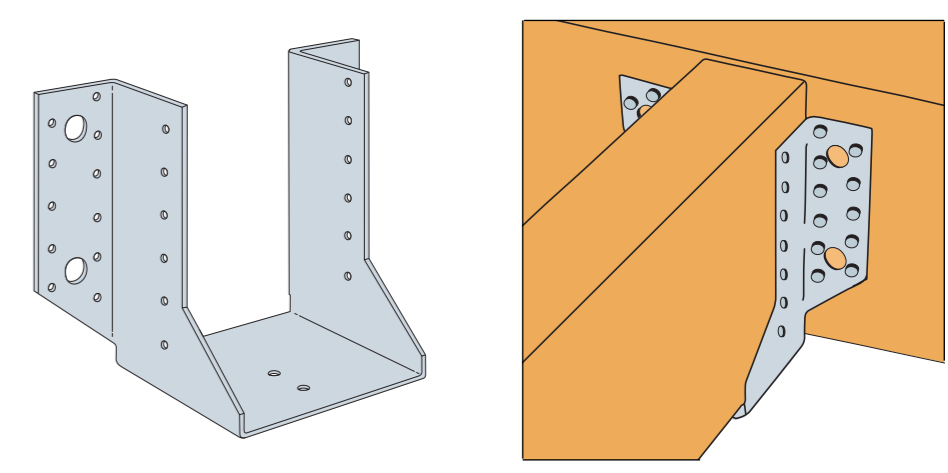
Top flange hanger available with skew or slope angles up to 45°.

Face Fix Concealed Flange Joist Hanger **IUC**



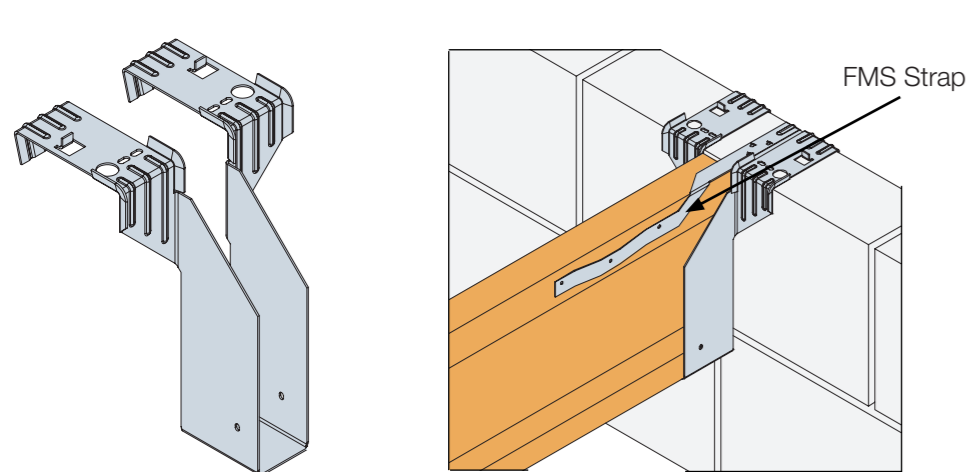
Concealed, face fix hanger for supporting I-joists from timber members and posts.

Face Fix Timber Joist Hanger **SAE**



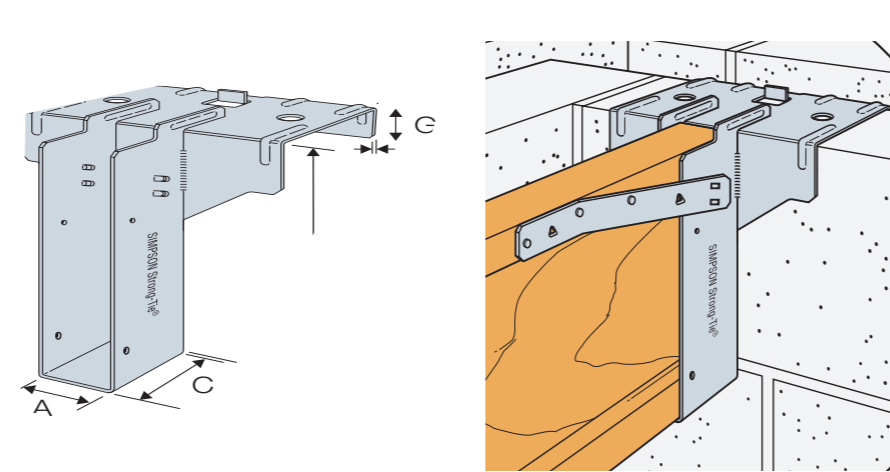
Heavy duty face fix hanger with bolt option for even greater performance requirements.

Safety Fast Lite Masonry Joist Hanger **SFLH/FMS**



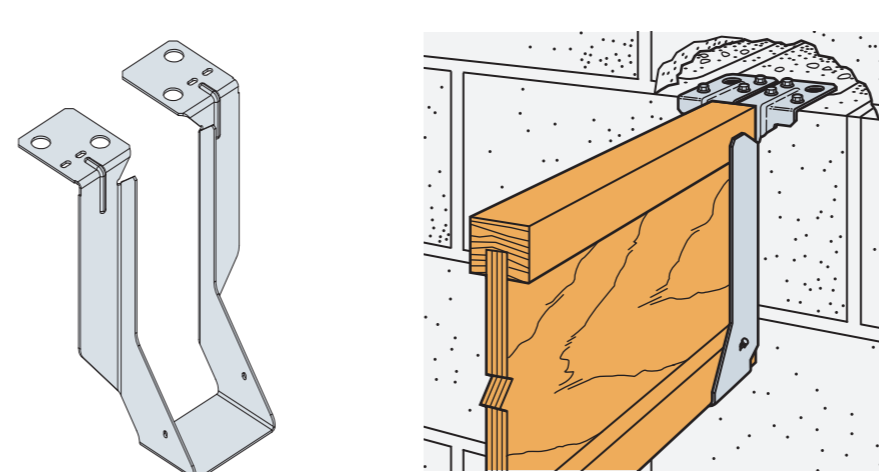
Supports I-joists from masonry walls without the need for three courses of blockwork above.

Safety Fast Welded Masonry Joist Hanger **SFWHI**



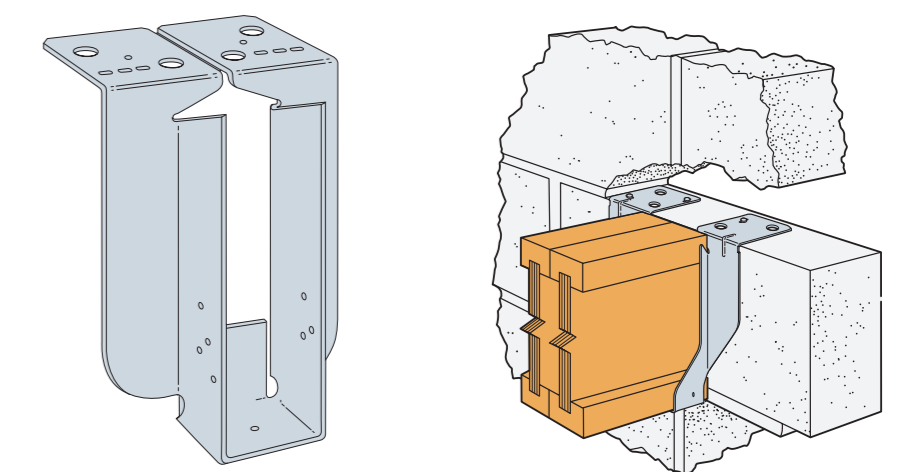
Face fix hanger for supporting I-joists from timber members.

Masonry I-Joist Hanger **JHMI**



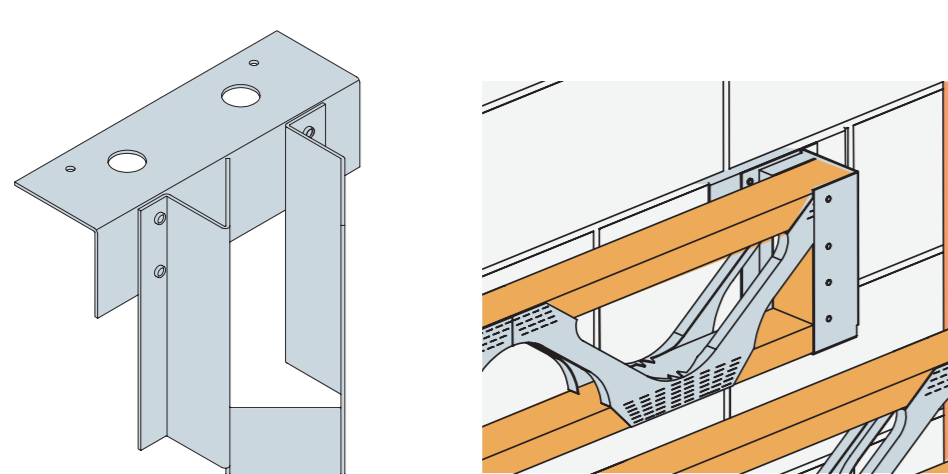
Supports I-joists from masonry walls.

Heavy Duty Masonry I-Joist Hanger **HJHMI**



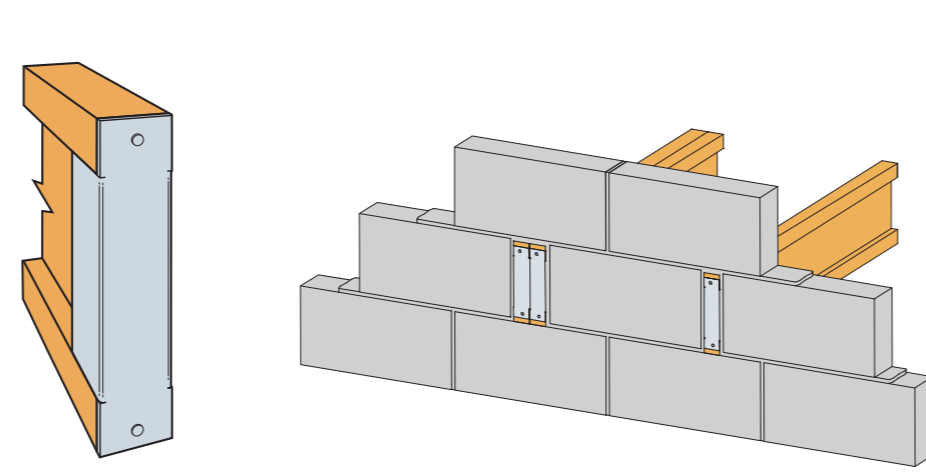
Heavy duty support for I-joists from masonry walls.

Skewed Masonry Joist Hanger **RHMSK**



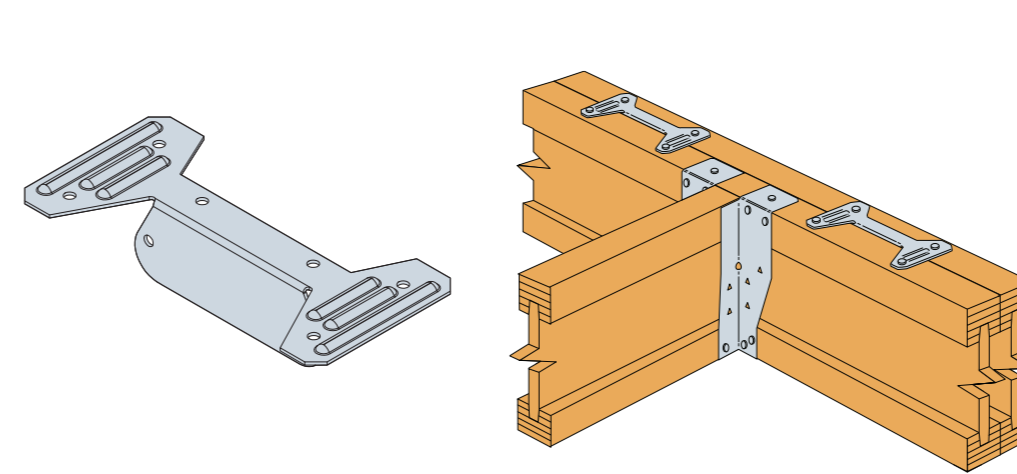
Heavy duty masonry hanger available with skew angle from 5° to 90°.

Simpson End Seal **SES**



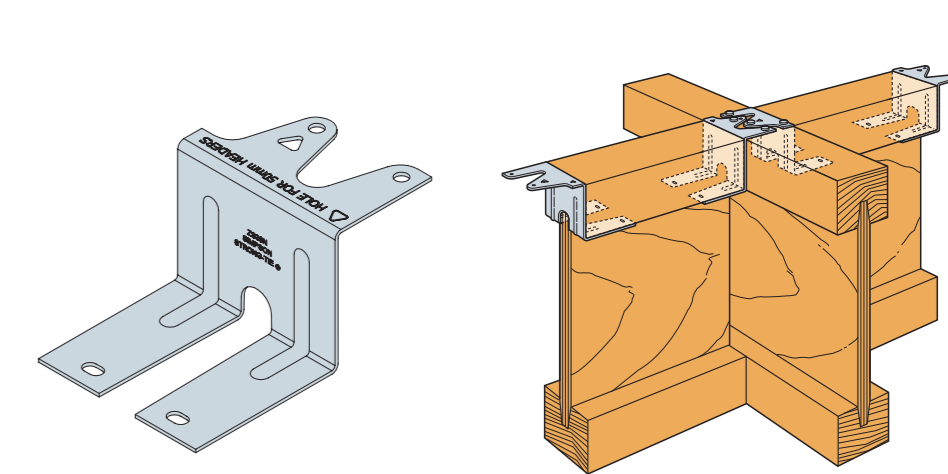
Helps prevent air leakage where joists are built into masonry walls.

Multi Joist Connector **MJC**



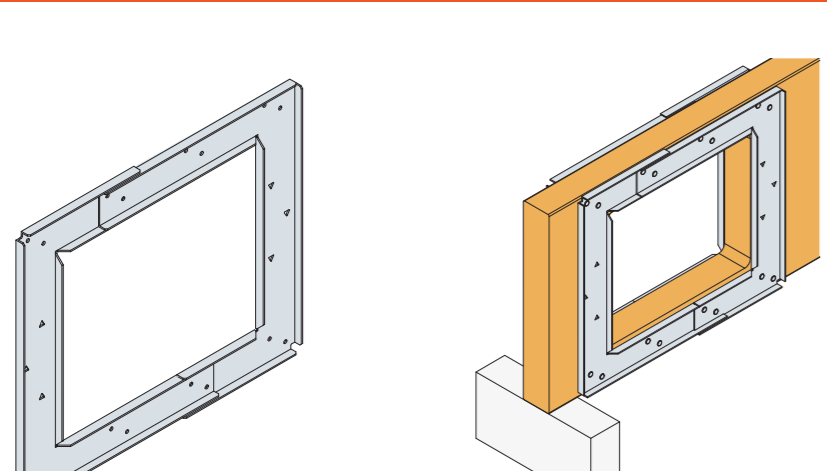
Fixes two joists together to act as a single unit, replacing the traditional filler block.

Slotted Z-Clip **ZS**



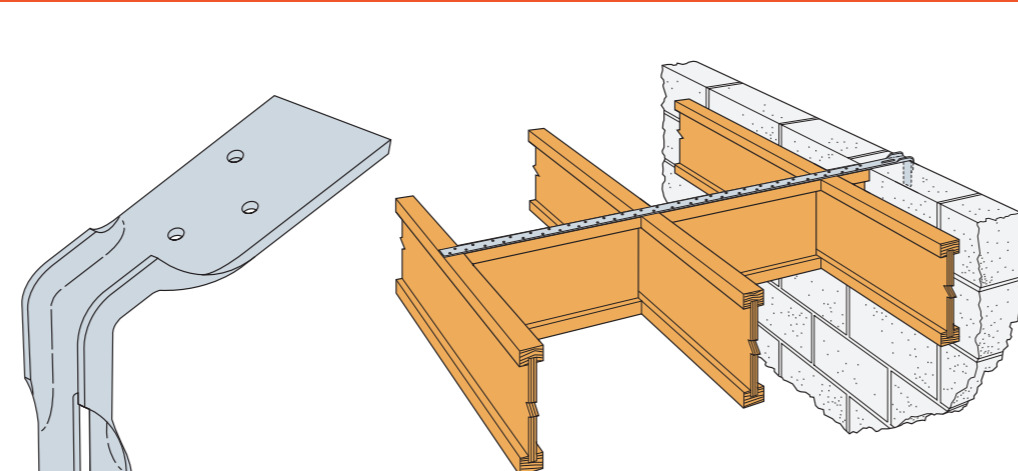
Allows I-joists or solid sawn timbers to act as noggings for floor decks or partition walls.

I-Joist Hole Support **IHS**



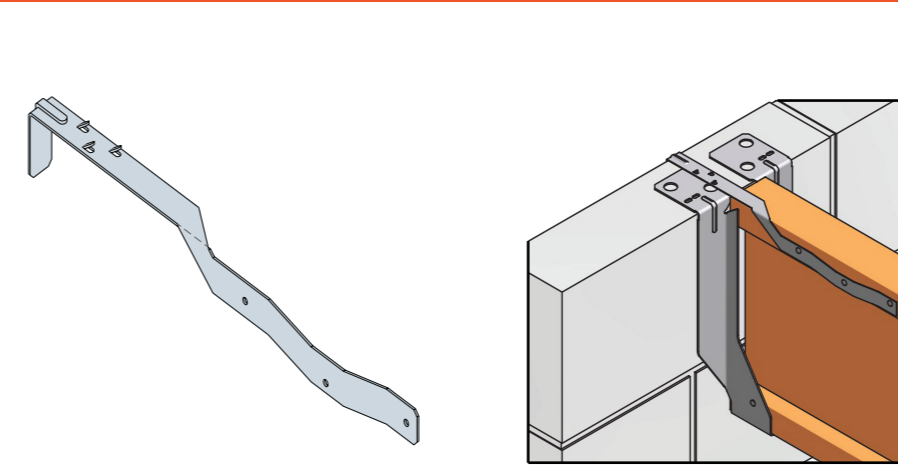
Provides reinforcement to I-joists where holes are cut to allow services.

Engineered Restraint Strap **HES**



HES can be installed underneath the I-joist top flange or placed above without the need for notching.

Folded Mini Strap **FMS**



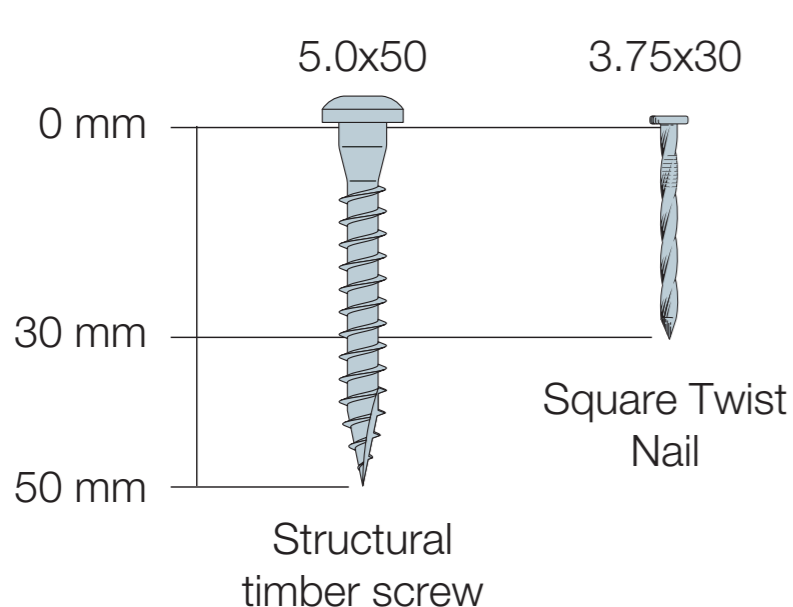
Provides restraint to masonry walls when joists are supported on masonry hangers.

Structural Screws **ESCR/SDW**



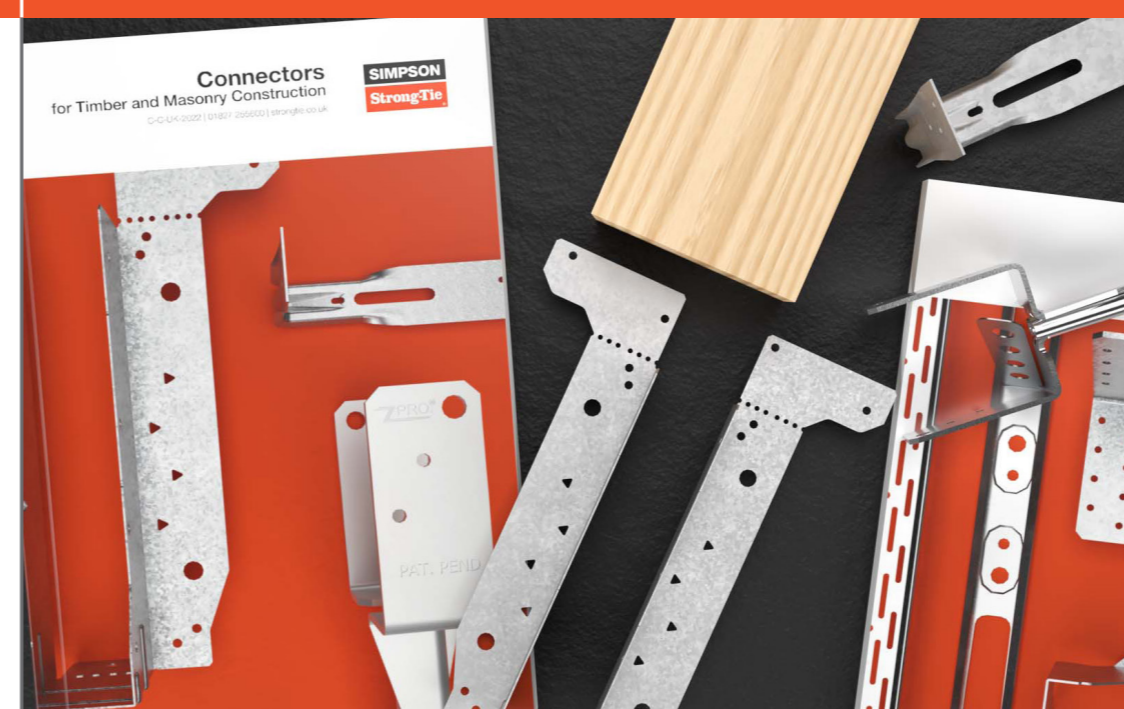
Structural Screws available in lengths up to 400mm. No pre-drilling necessary.

Fasteners



- Round Hole: To fasten a connector. Always fill and make sure to use the correct nail.
- Hexagonal Hole: For use with SSH screws.
- Triangle Hole: Sometimes provided in addition to round holes. Fill triangular holes when specified.
- Obround Hole: Provide easier nailing access in tight locations. Fasteners installed at any angle.
- Diamond Hole: Optional holes to temporarily secure connectors to the member during installation.

Customer Care Team



Mon - Thur 8.30am - 5pm, Fri 3:45pm
Cut-off for next day deliveries: Mon-Thur 2pm, Fri Midday



Telephone: 01827 255600
Email: epdsales@strongtie.com

Where applicable, the products shown above comply with Construction Product Regulations. See the current catalogue for fastener and load information. Simpson Strong-Tie®, Winchester Road, Cardinal Point, Tamworth, Staffordshire, B78 3HG

01827 255600 | www.strongtie.co.uk